



Telford Segment

Mobile table





Why stand still ?

Embrace change.

Segment tables are the perfect choice for adaptive workspaces. Compact but deceptively strong; these mobile tables are ideal for agile environments where configurations are changed from groups to individual work by a single user.

Available with either fixed or tilt-top for nesting, the choice is yours...



Linking

When used for group work, Segment tables can simply be linked to form static clusters.



Tilt

Tilt-tops enable the tables to nest when not in use and cleverly reduce the amount of storage space needed. The 'constant friction' hinges ensure that tops close in a controlled way for safety.



Latching

In normal use, the buffered tops are held in place and the worksurface can be used without movement. Need the space? No problem. Unlatch the top, tilt and nest the tables conveniently.

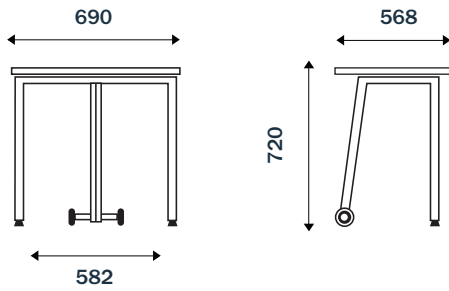


Mobile

Segment tables are fitted with wide axled, soft wheels for ease of movement and stability. Their strong but light-weight construction means that reconfiguring layouts becomes simple.

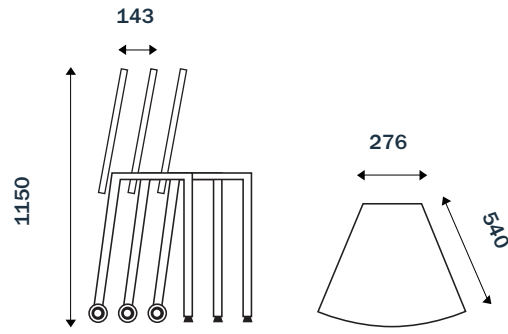
GRESHAM

Working with you



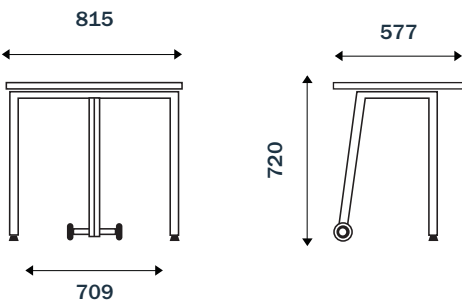
45° Fixed

Code - TMSF45



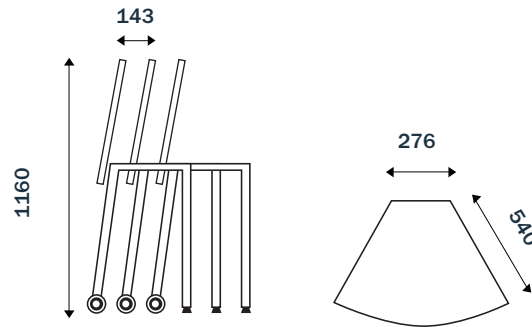
45° Tilt-top

Code - TMST45



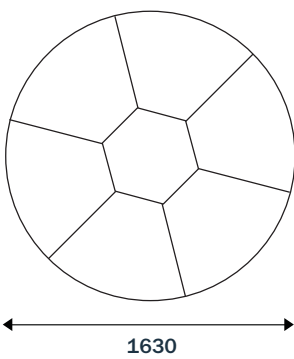
60° Fixed

Code - TMSF60

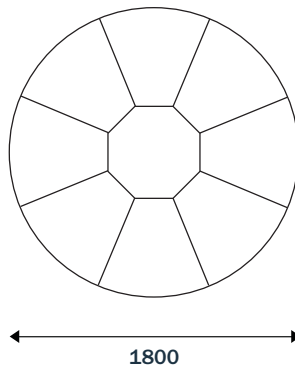


60° Tilt-top

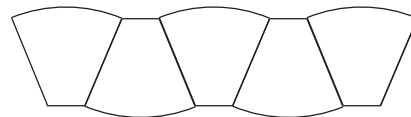
Code - TMST60



60° Sample configuration



45° Sample configuration



Gresham Office Furniture Limited:

Head Office:
Platinum Park,
Lynstock Way, Horwich,
Bolton, BL6 4SA.

Leeds Showroom:
Unit 2, Intermezzo Drive,
Stourton Link,
Leeds, LS10 1RU.

London Showroom:
14 Bonhill Street,
London,
EC2A 4BX.

T: 01204 664422
F: 01204 664433
E: info@gof.co.uk

E: infoleeds@gof.co.uk

E: infoLondon@gof.co.uk

Please visit www.gof.co.uk